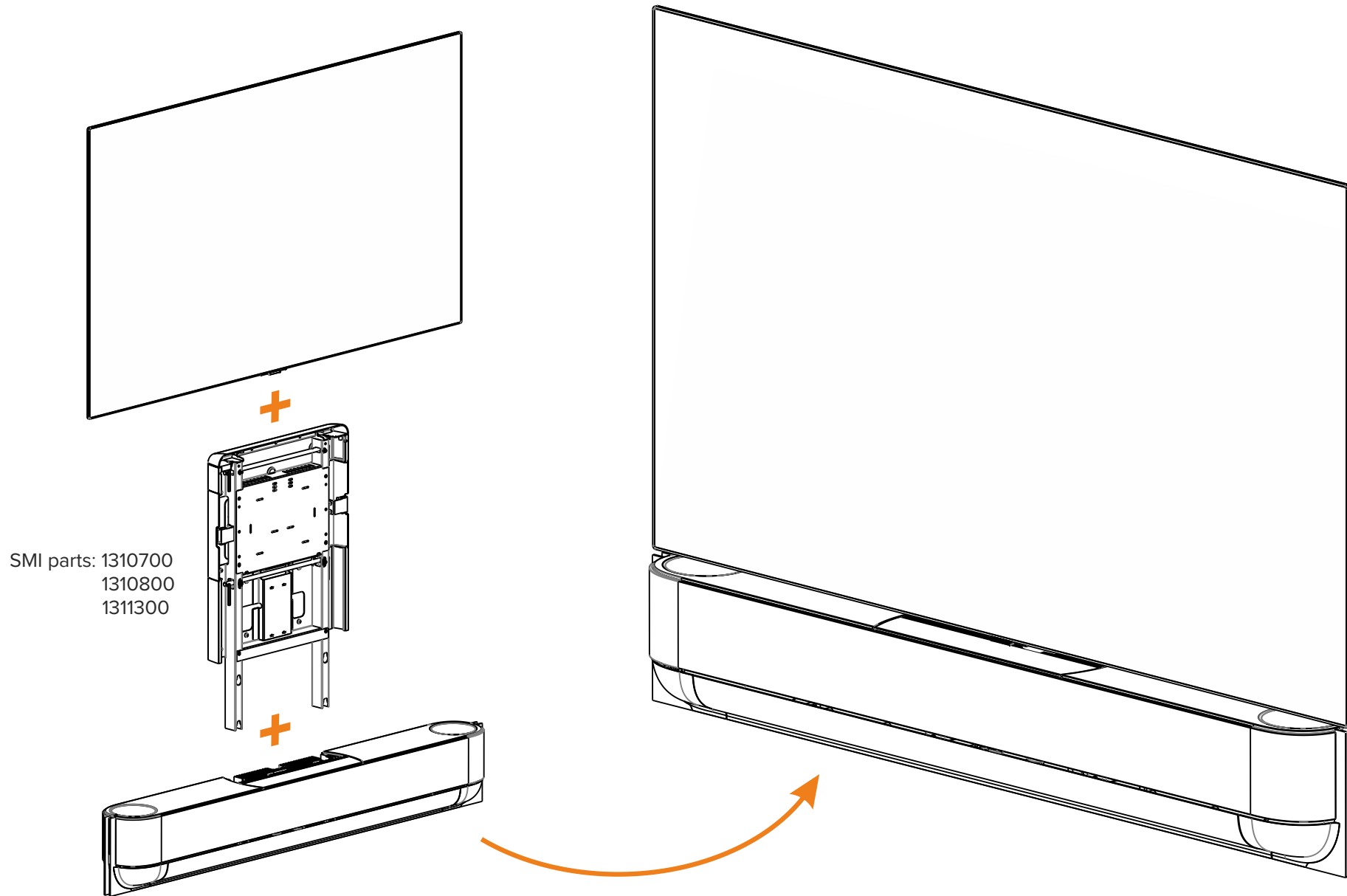
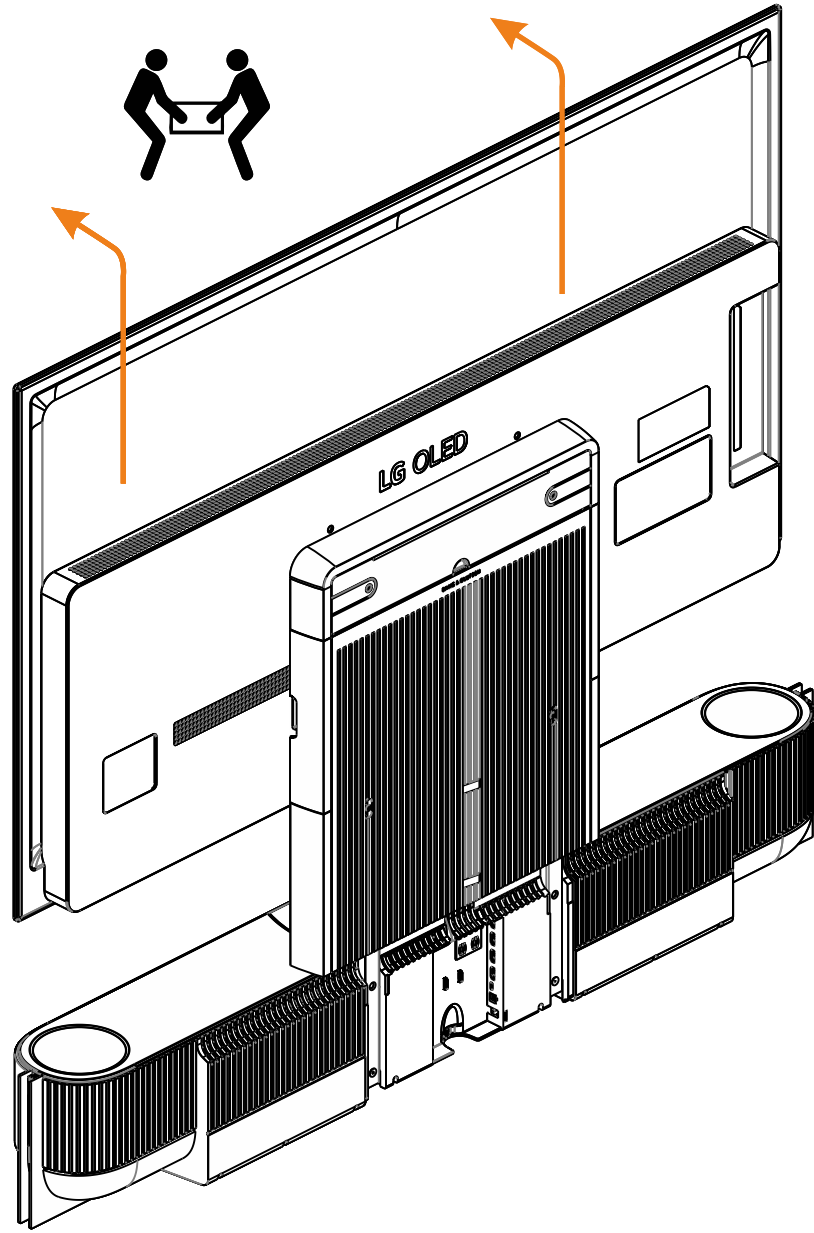


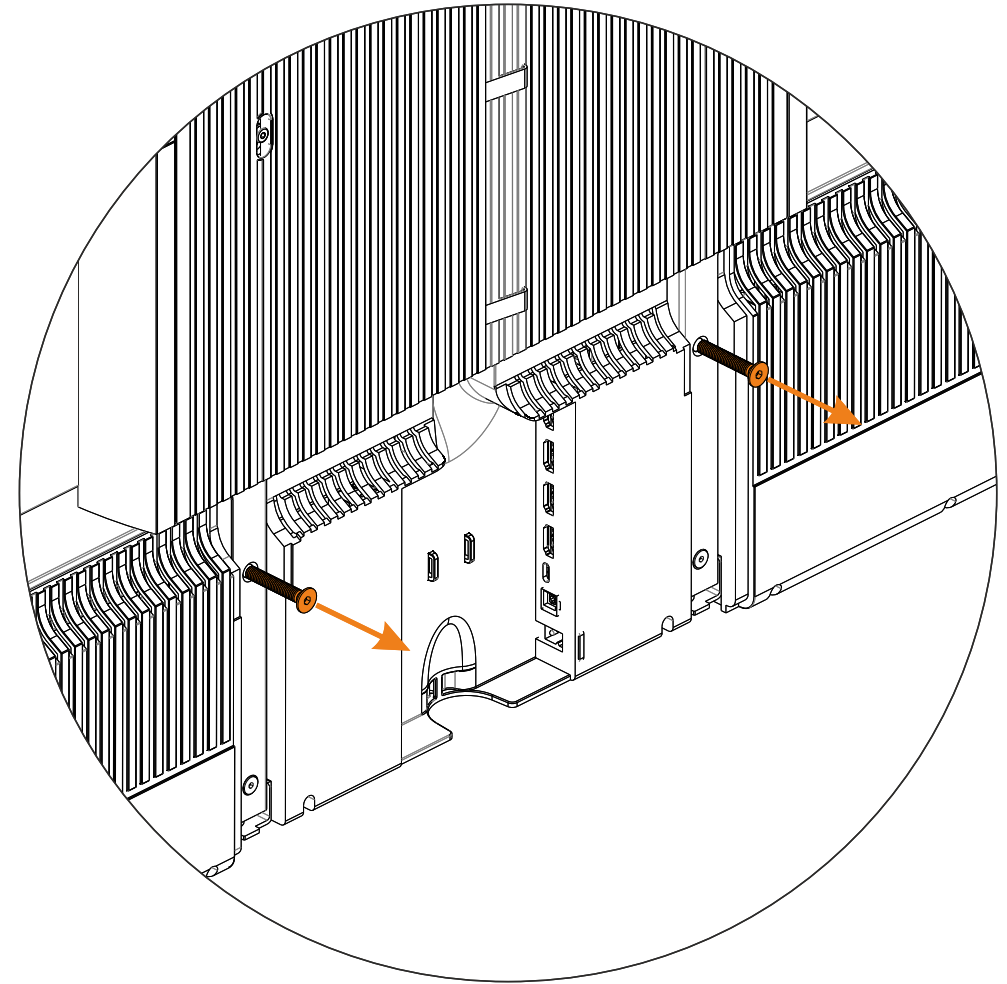
Assemble TV, SMI and Beosound Theatre



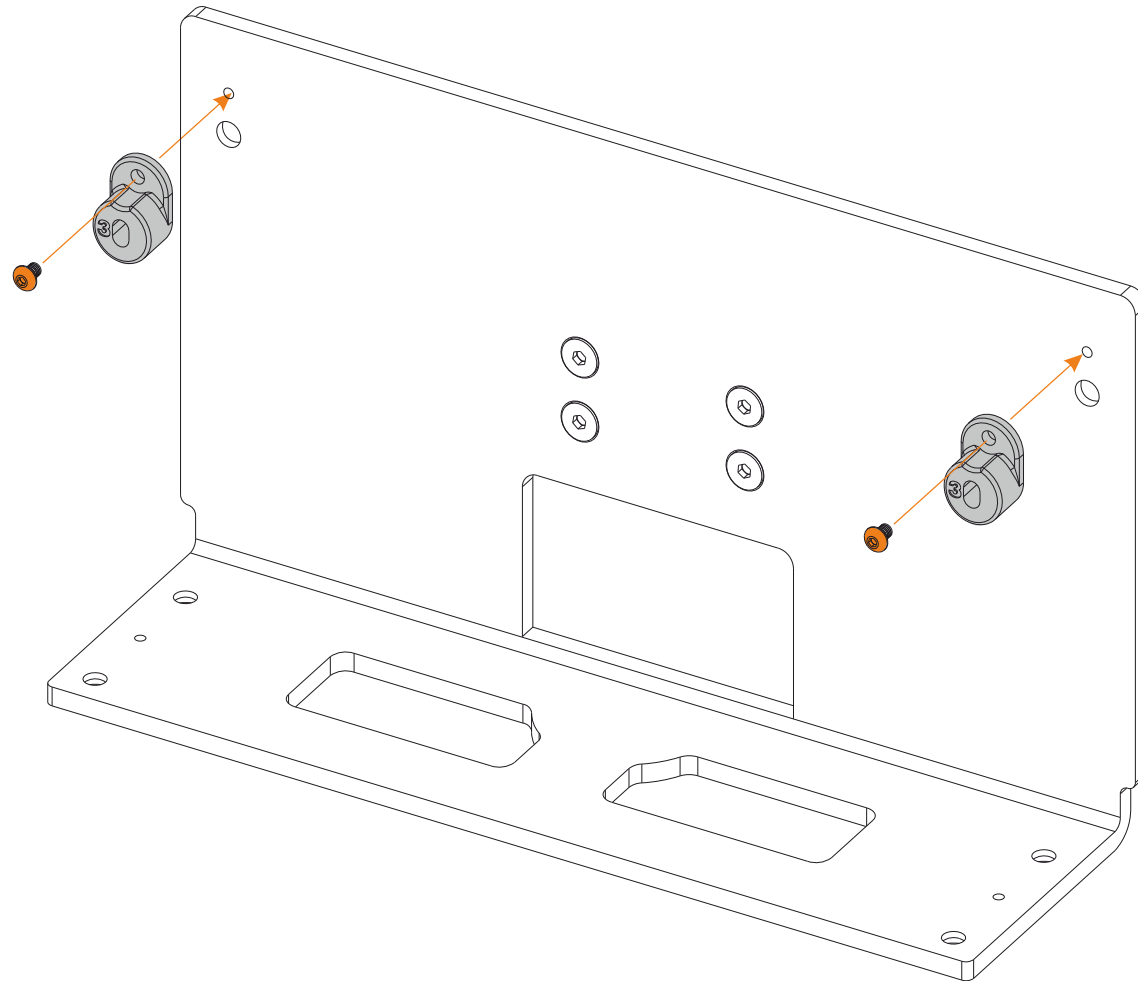
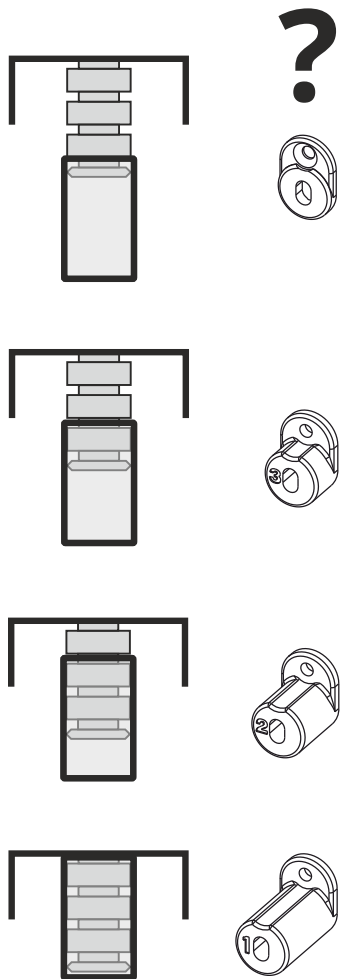
Remove Television



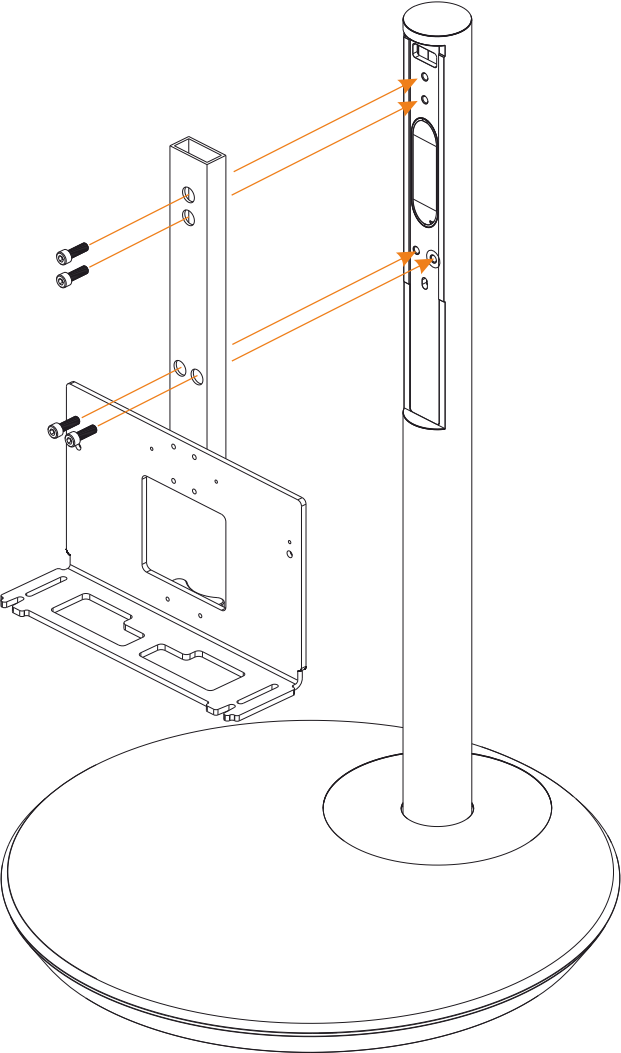
Remove 2x Screw



Select & install Spacers



Mount Adapter Plate



Mount Theatre & SMI

