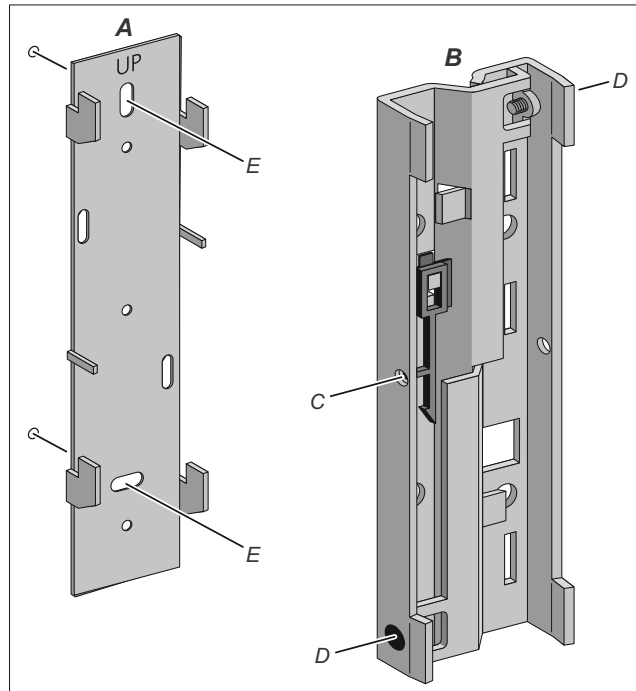


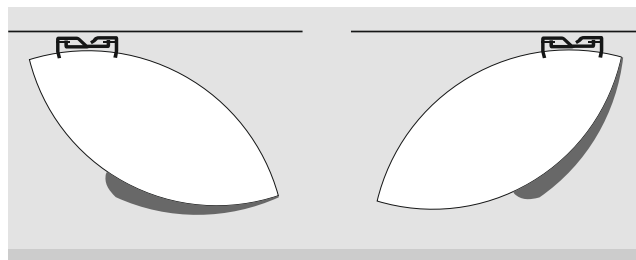
## Product | BeoLab 4000 Complete Wall Bracket

The wall bracket consists of two main parts. The bracket (A) must be secured to the wall, and the bracket (B) to the rear grille of the loudspeaker:

- Separate the two parts A – B). If necessary, loosen the two screws (D)
- Fasten the bracket (B) to the loudspeaker, in the preferred position. Tighten the two screws (D) securely!
- Hold up the loudspeaker where you want to place it on the wall, and mark up the outline of the bracket. Use the bracket (A) as a template to mark up where to drill the holes.
- Fasten the bracket (A) to the wall through the holes (E), and hang the loudspeaker onto the four hooks.

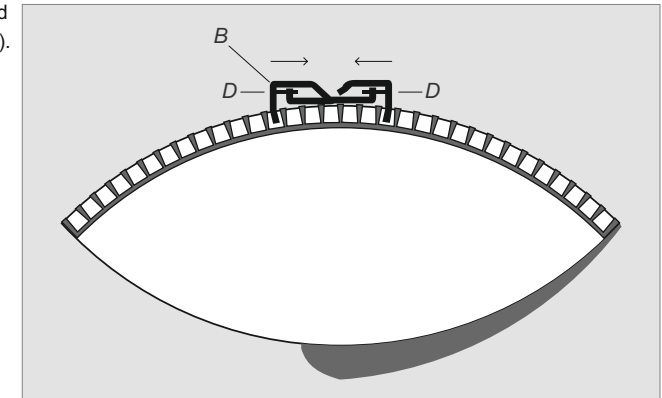


The lock will engage and thus secure the two parts. You can release the lock with a small screwdriver through the hole (C)



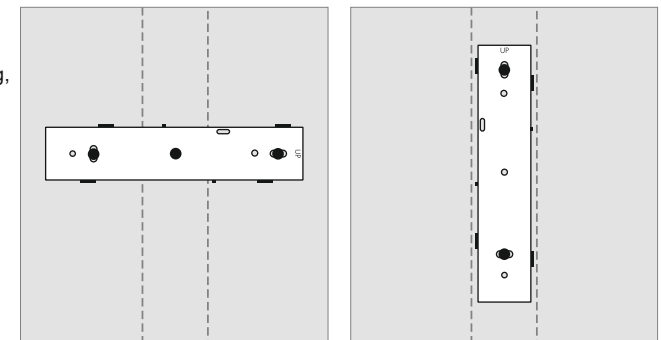
The placement of the bracket on the rear of the loudspeaker determines the angle between the loudspeaker and the wall.

Top-view of the loudspeaker and the bracket (B).



### Light partition walls

If you intend to hang the loudspeaker on a gypsum wall or ceiling, the wall bracket must be fastened to a stud.



If mounted in a horizontal position, you must use three screws. Two screws of a type for gypsum panels suffice. If mounted in a vertical position, two screws through the holes (E) will suffice. One lag screw through the centre hole of the bracket.