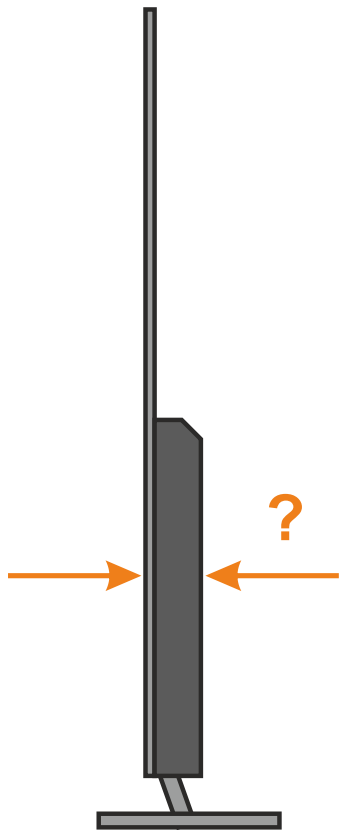
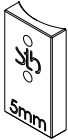
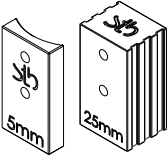
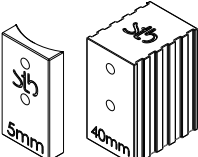


Your Television Depth



- 10-30mm = 
- 30-55mm = 
- 55-70mm = 
- 70-110mm = 