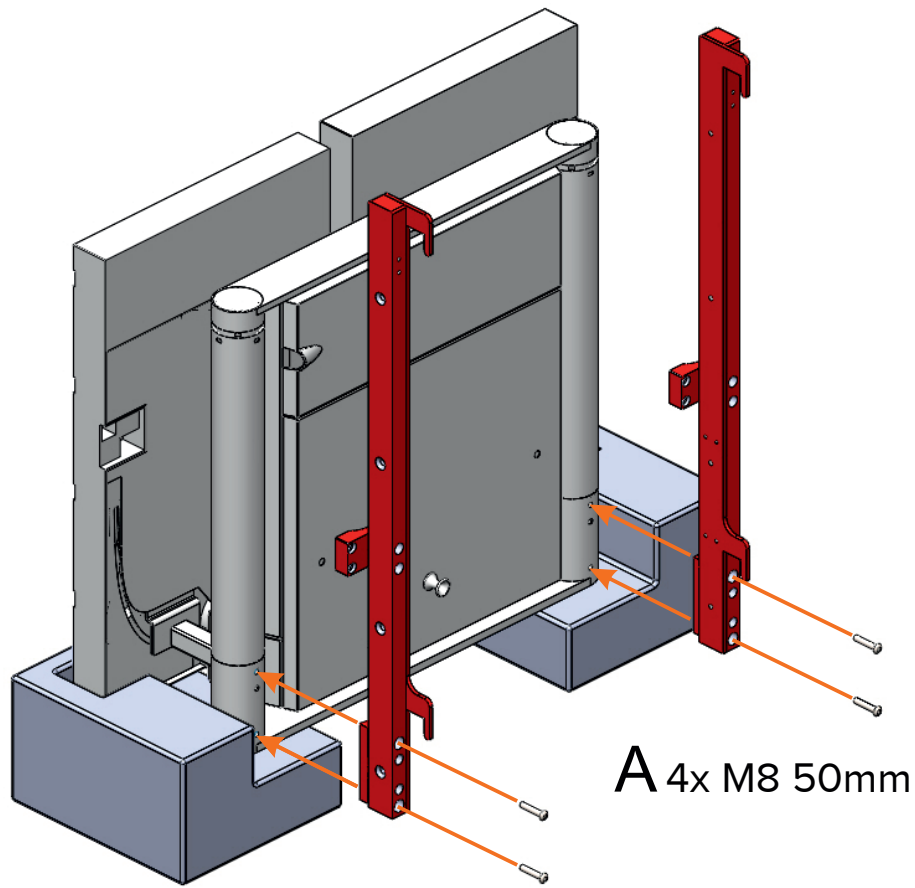
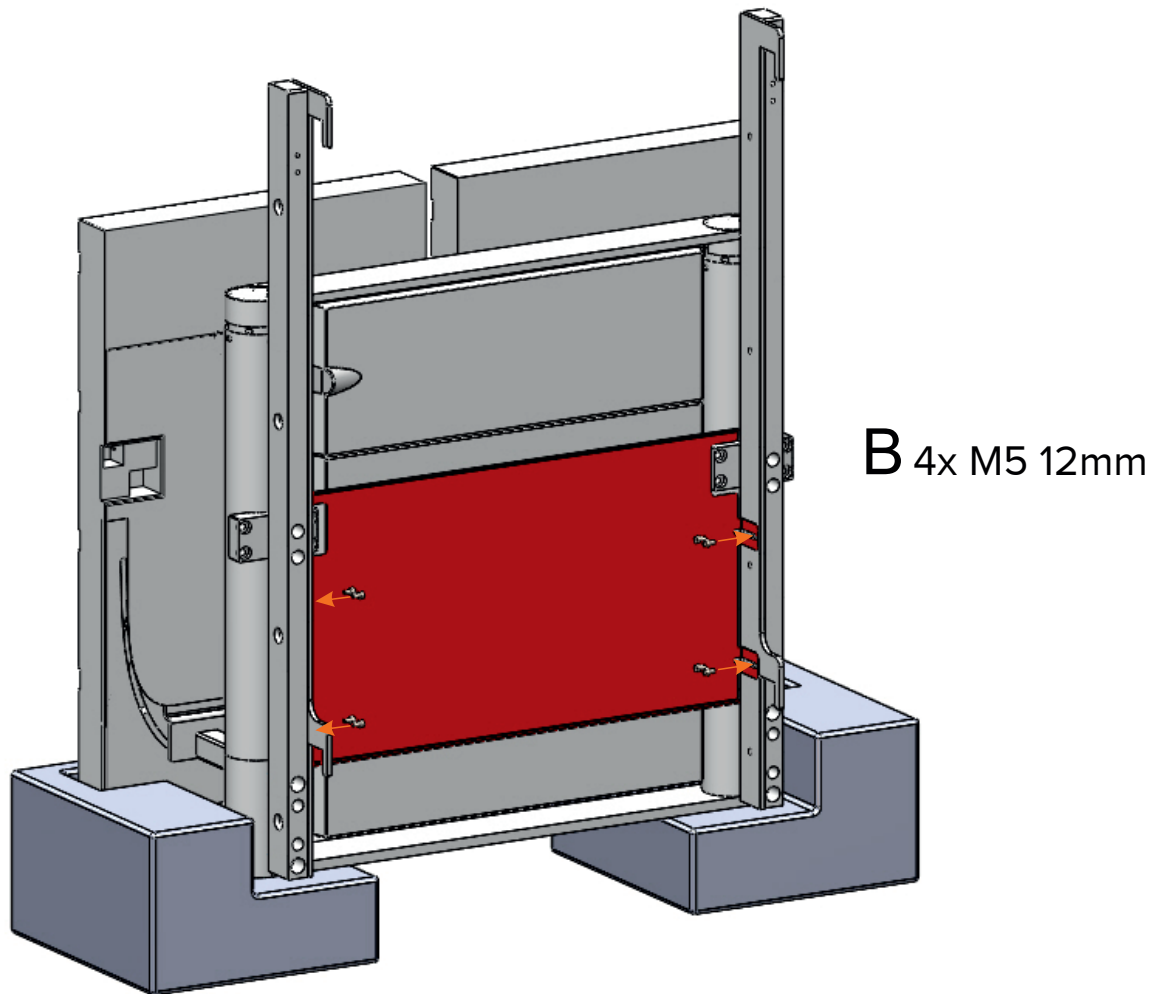


1

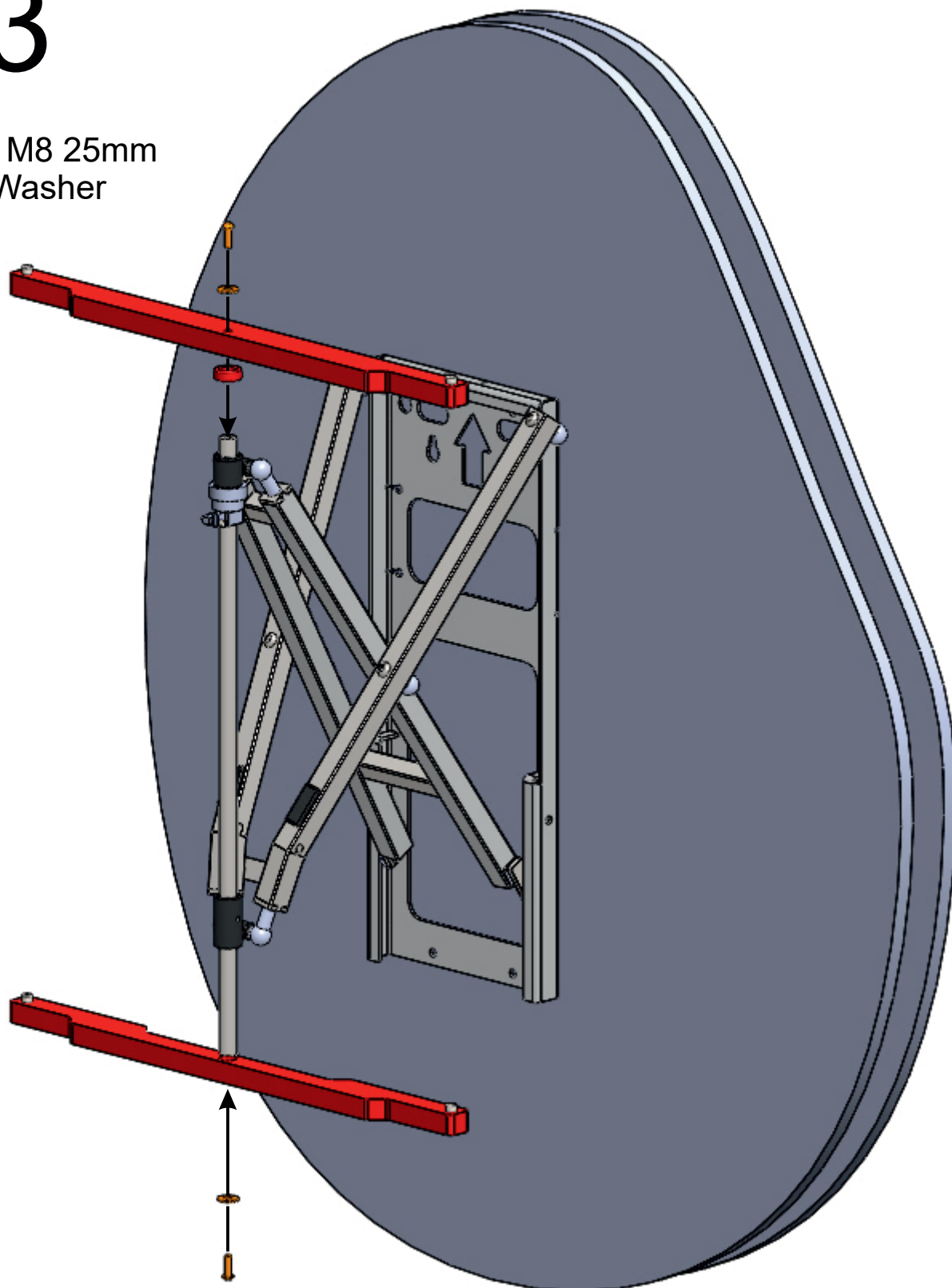


2

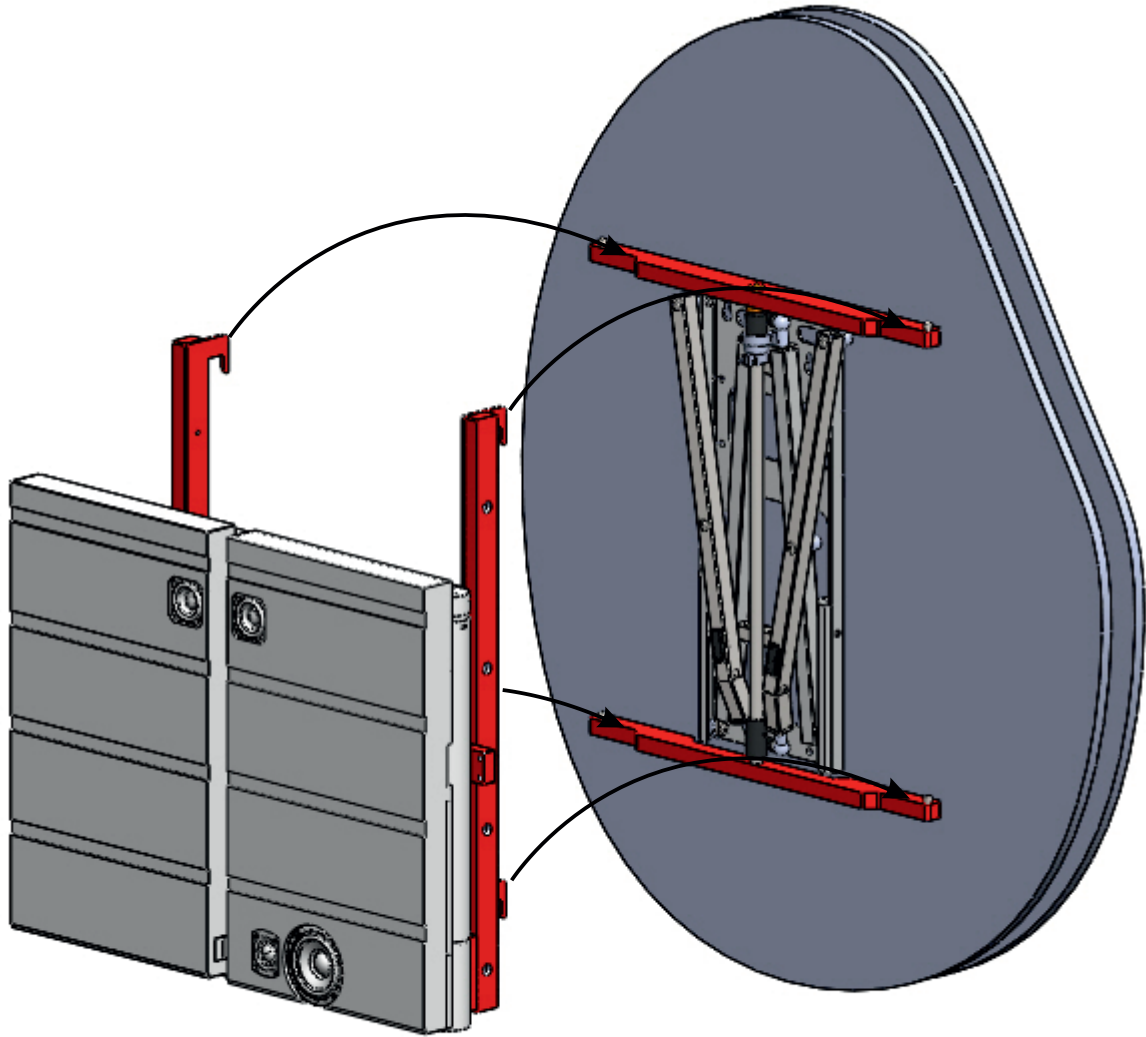


# 3

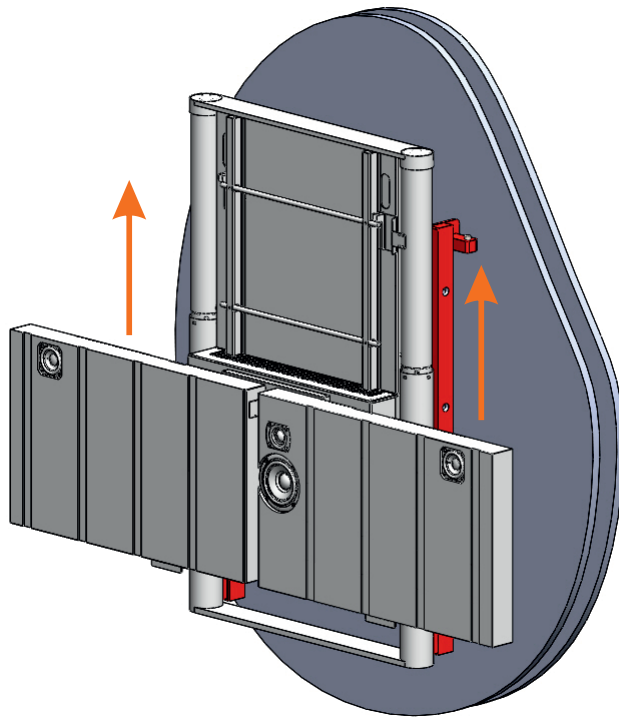
C 2x M8 25mm  
+ Washer



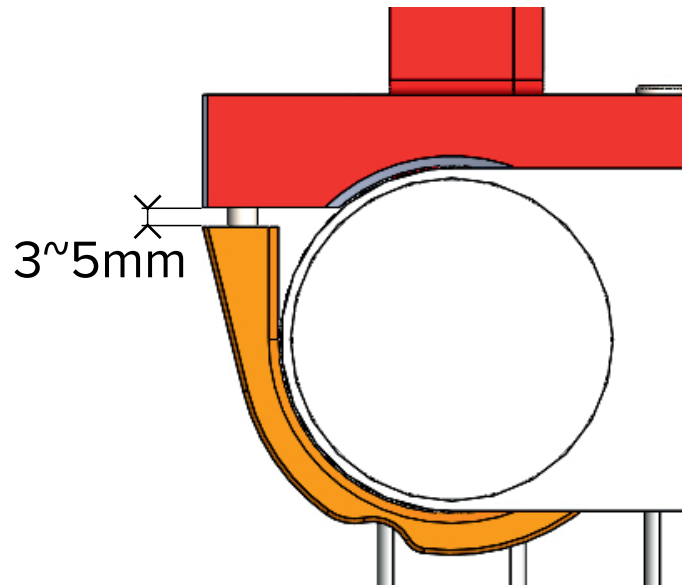
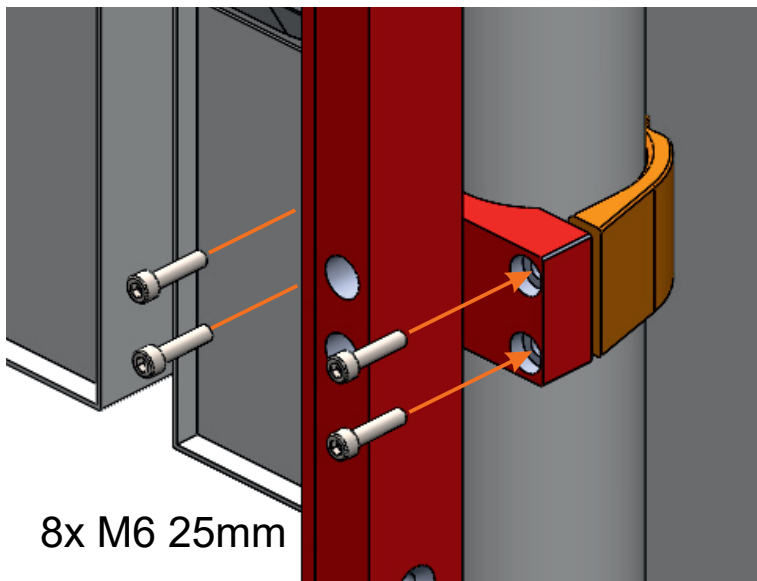
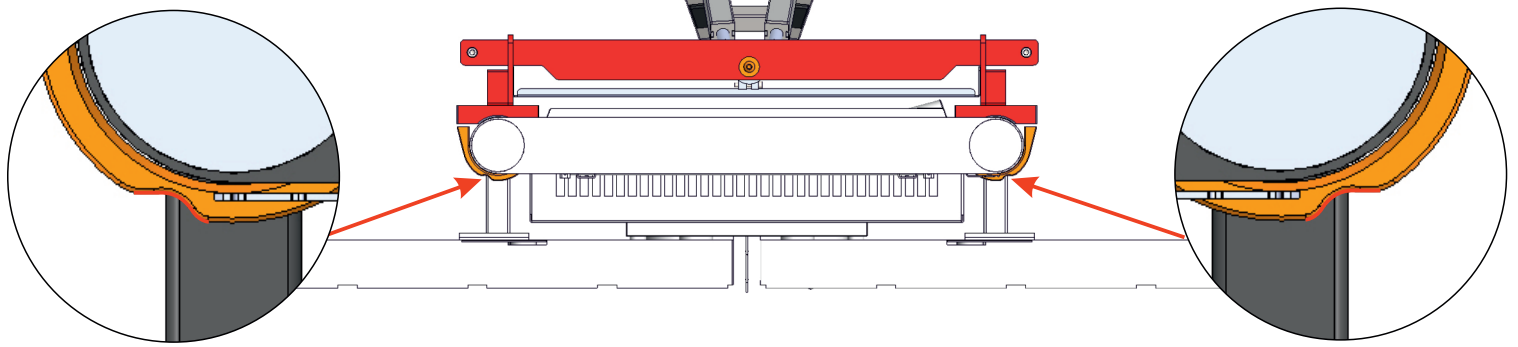
4



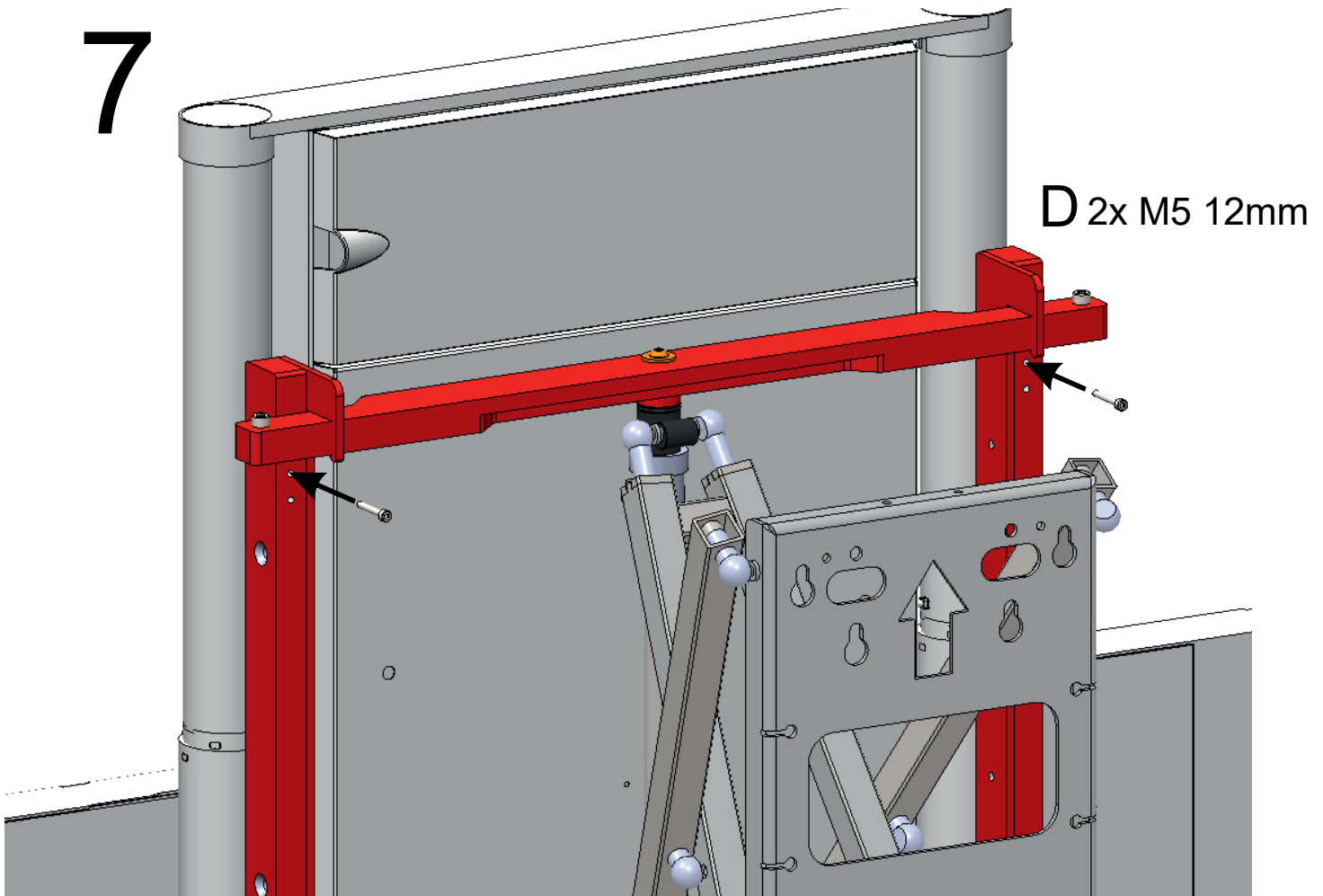
5  
TV UP↑



6



7



8

Cables 1600mm

