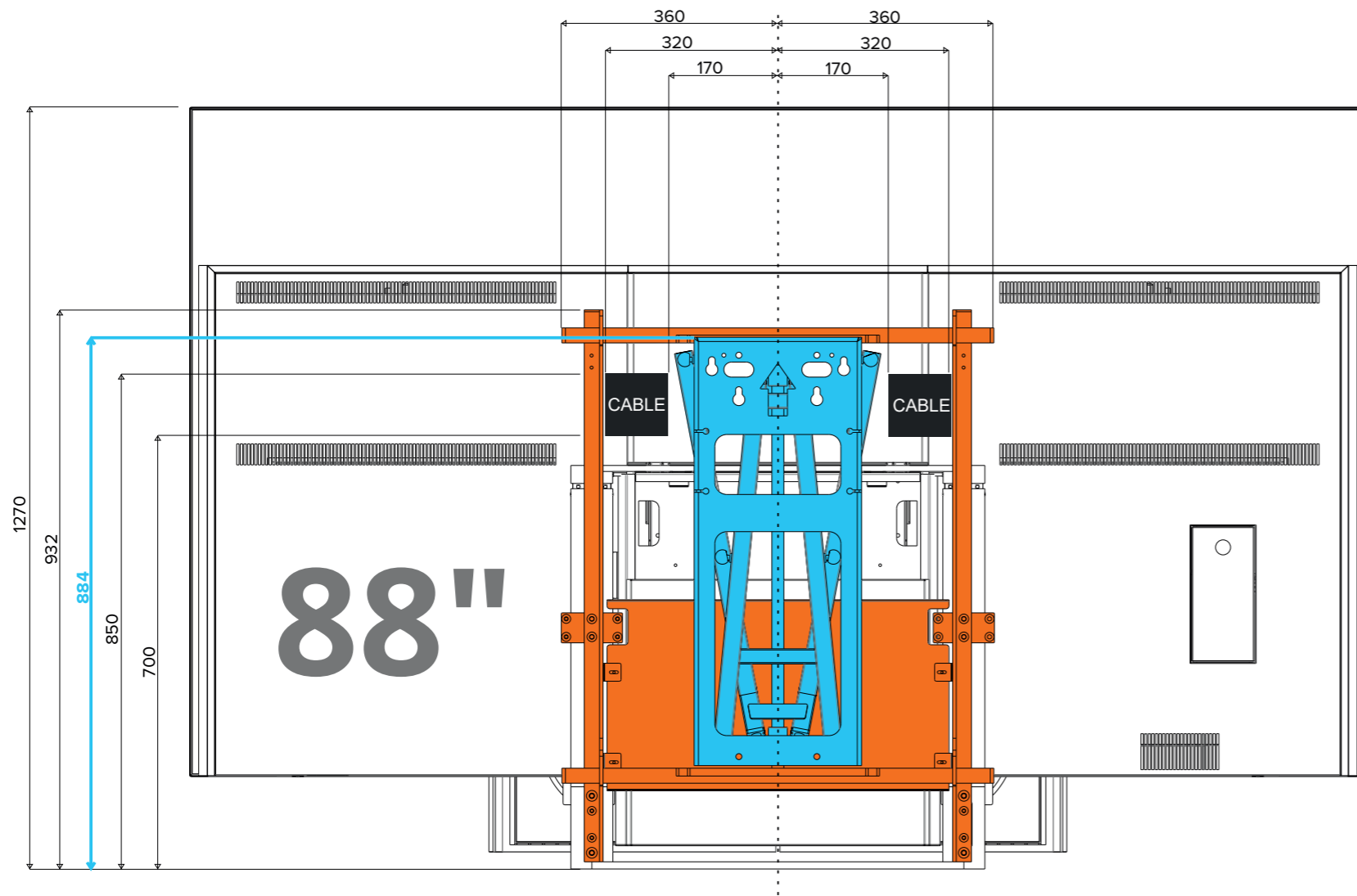
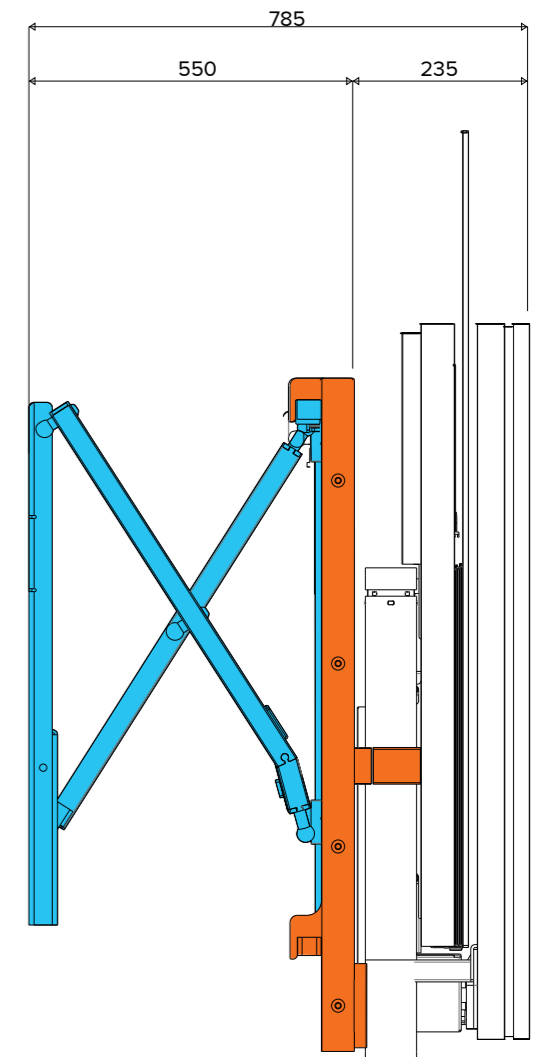
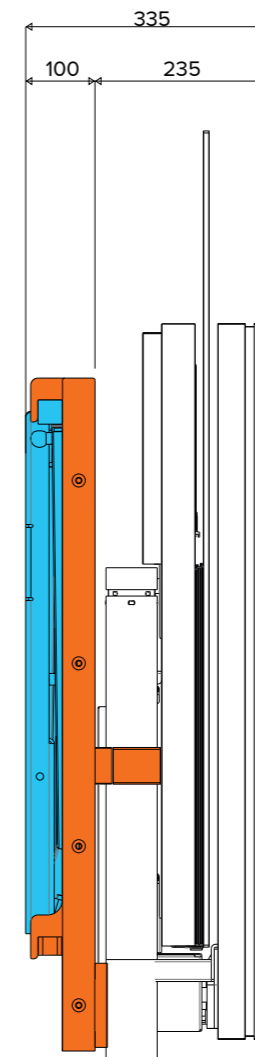
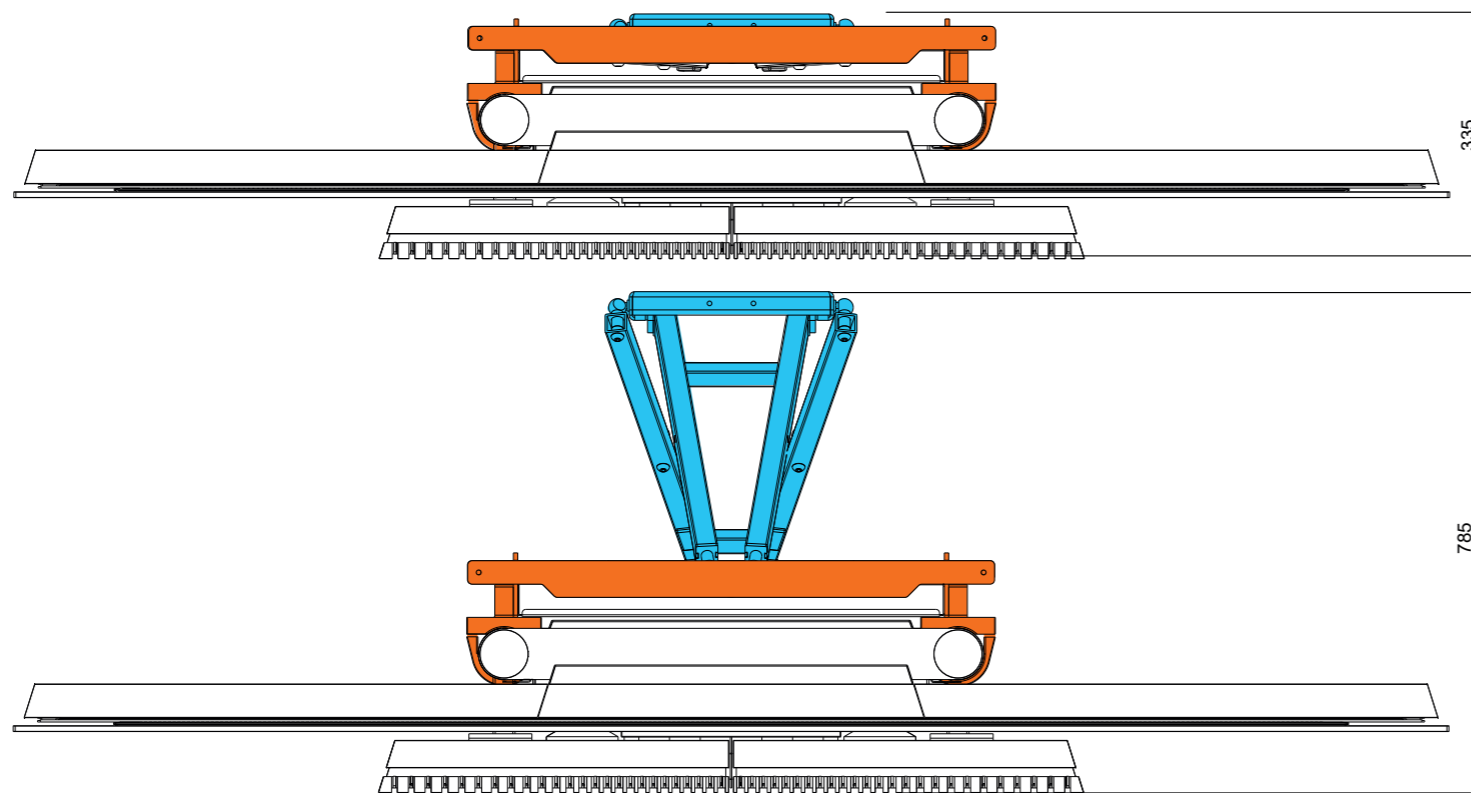
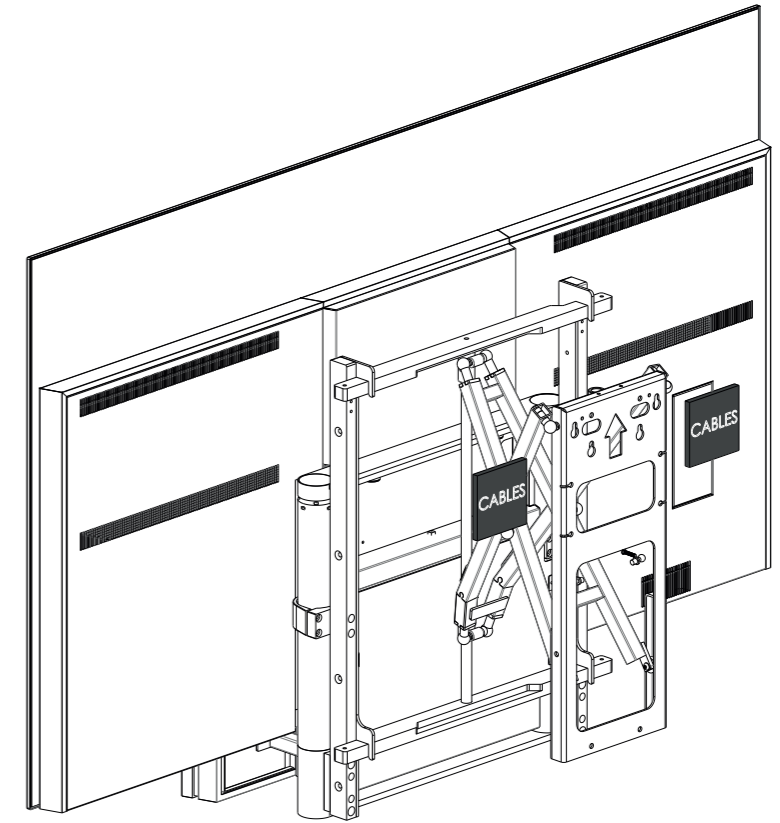


Bang & Olufsen Harmony 88'' - Wall Bracket



CABLE LENGTH = 1600 FROM WALL



Bang & Olufsen Harmony 88" - Wall Bracket

