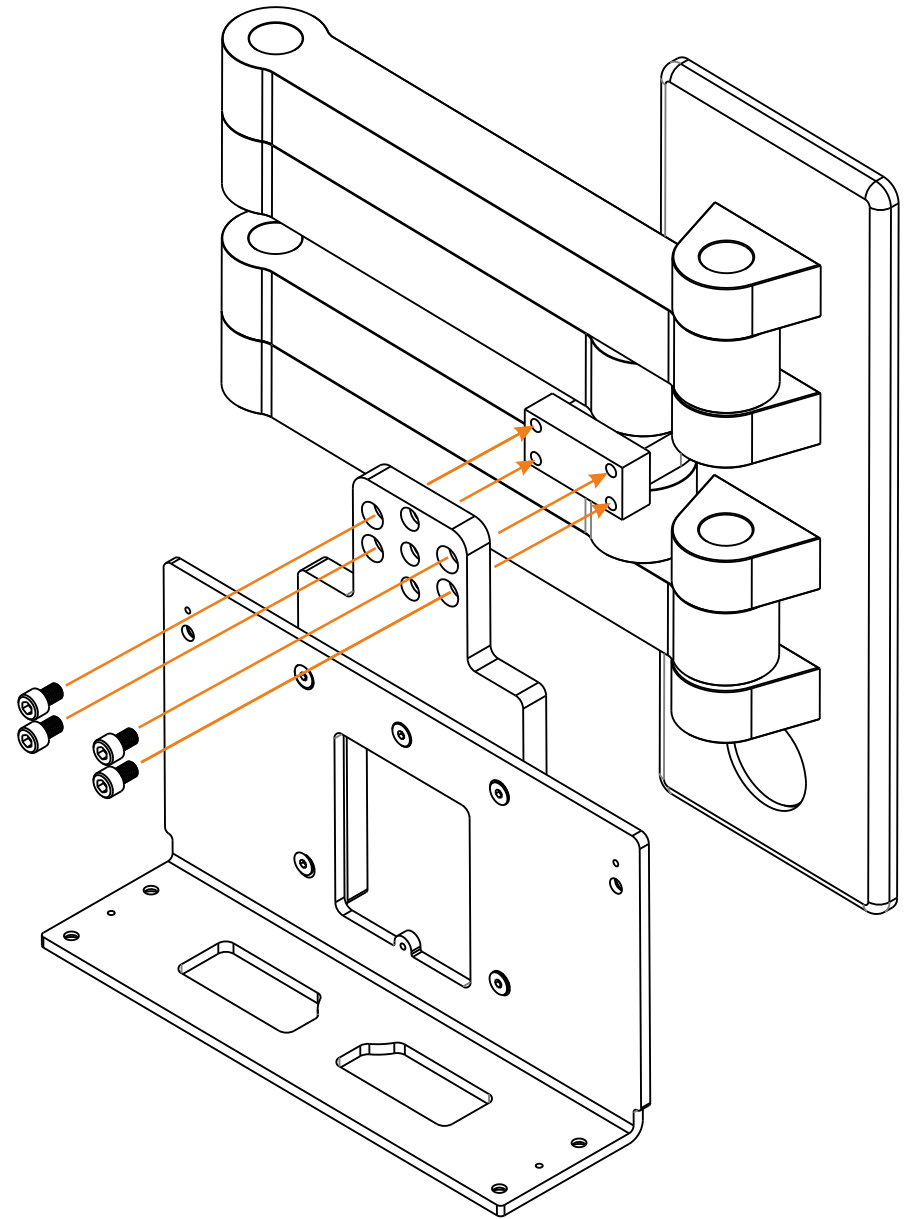
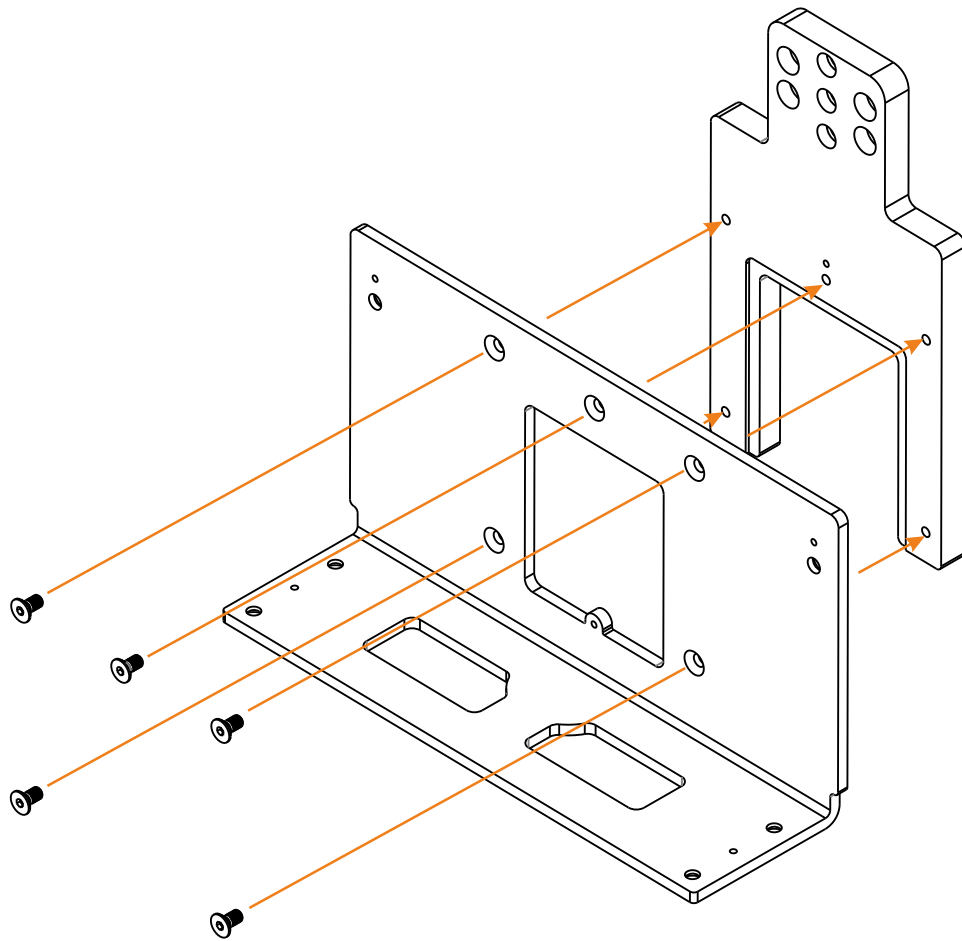
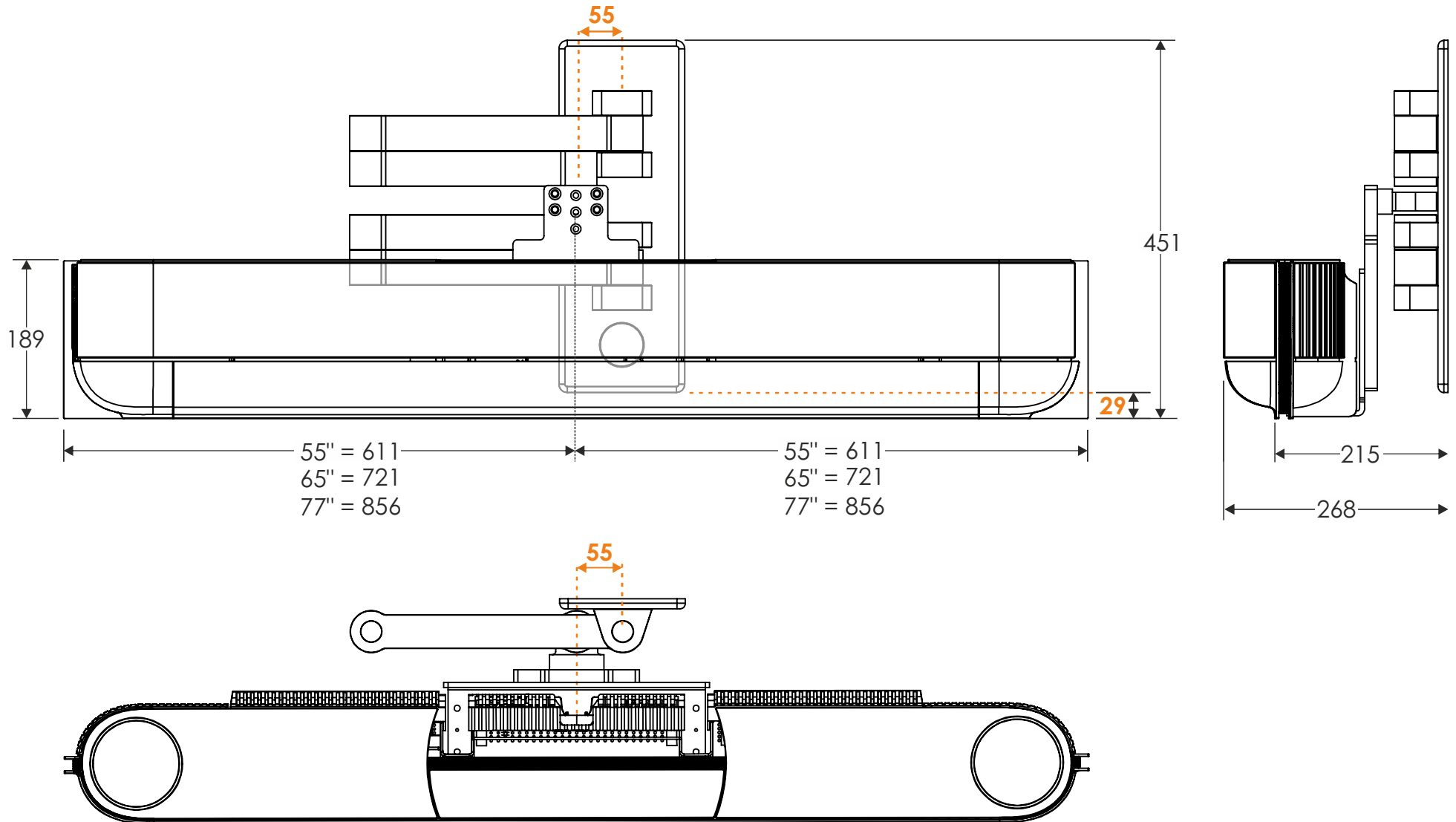


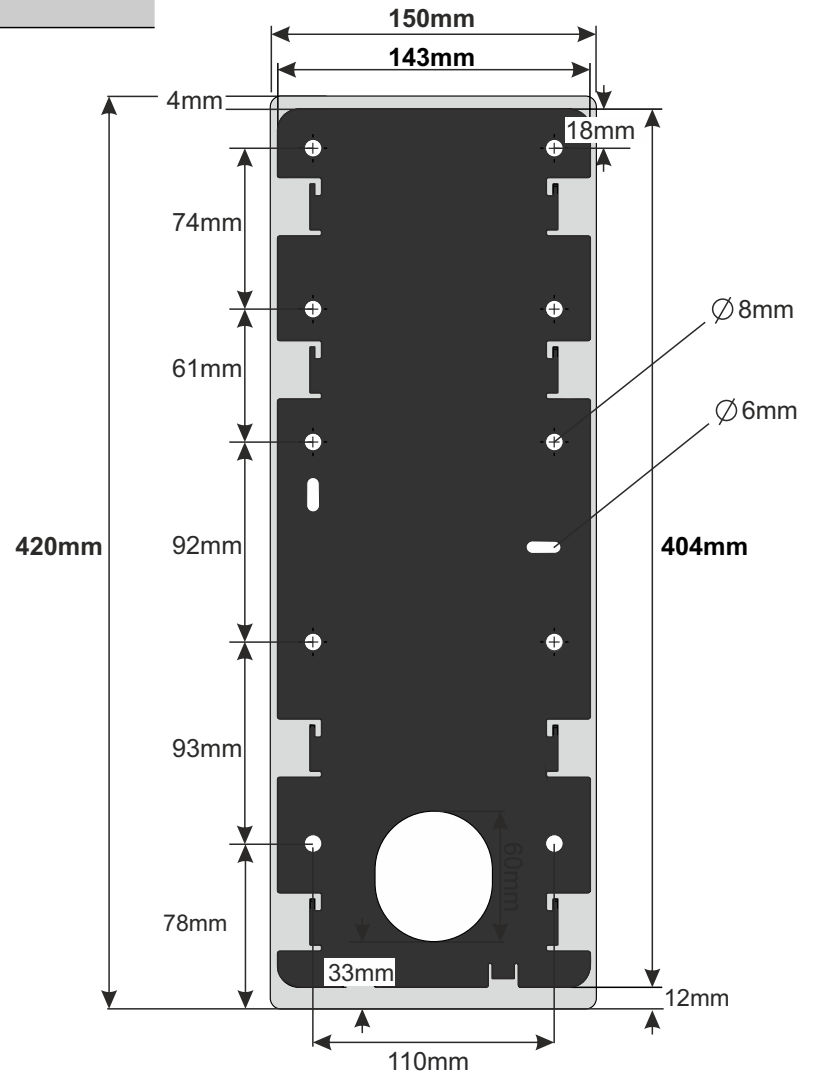
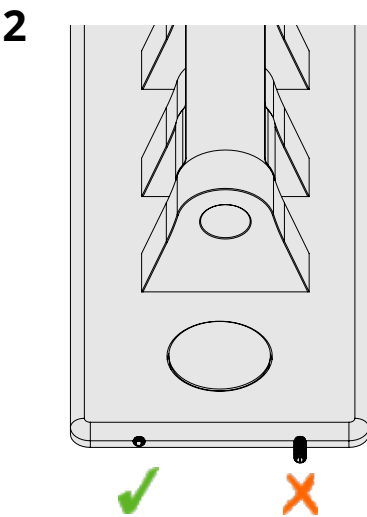
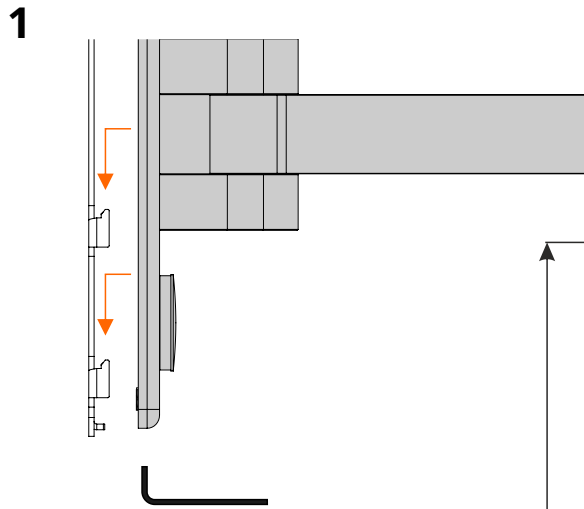
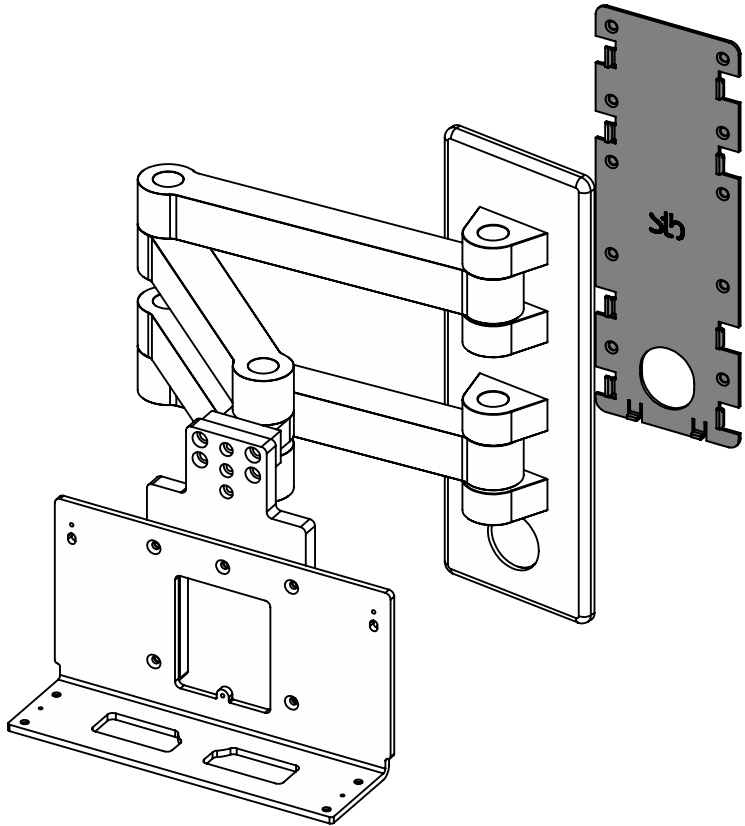
# Assemble GYRO



# Dimensions A



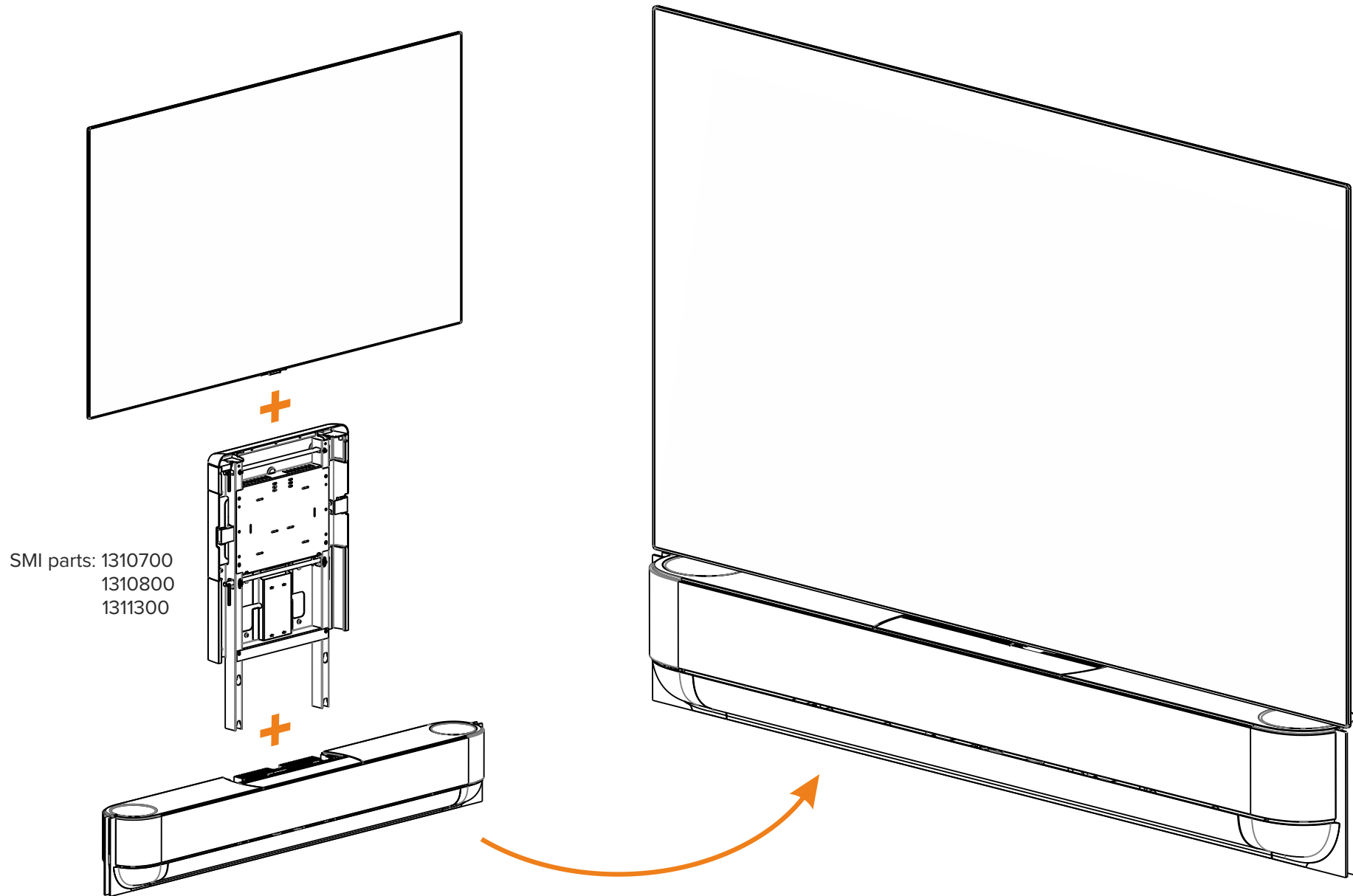
# Dimensions B



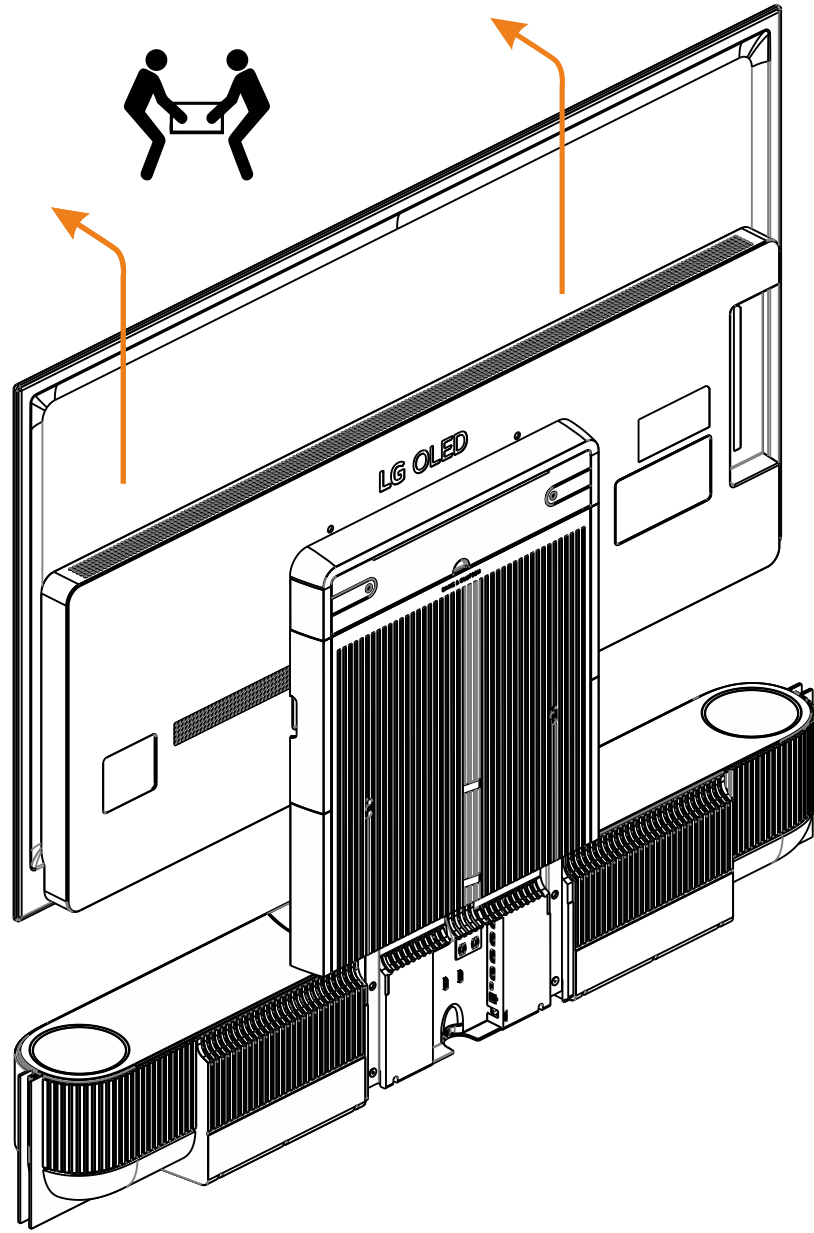
4



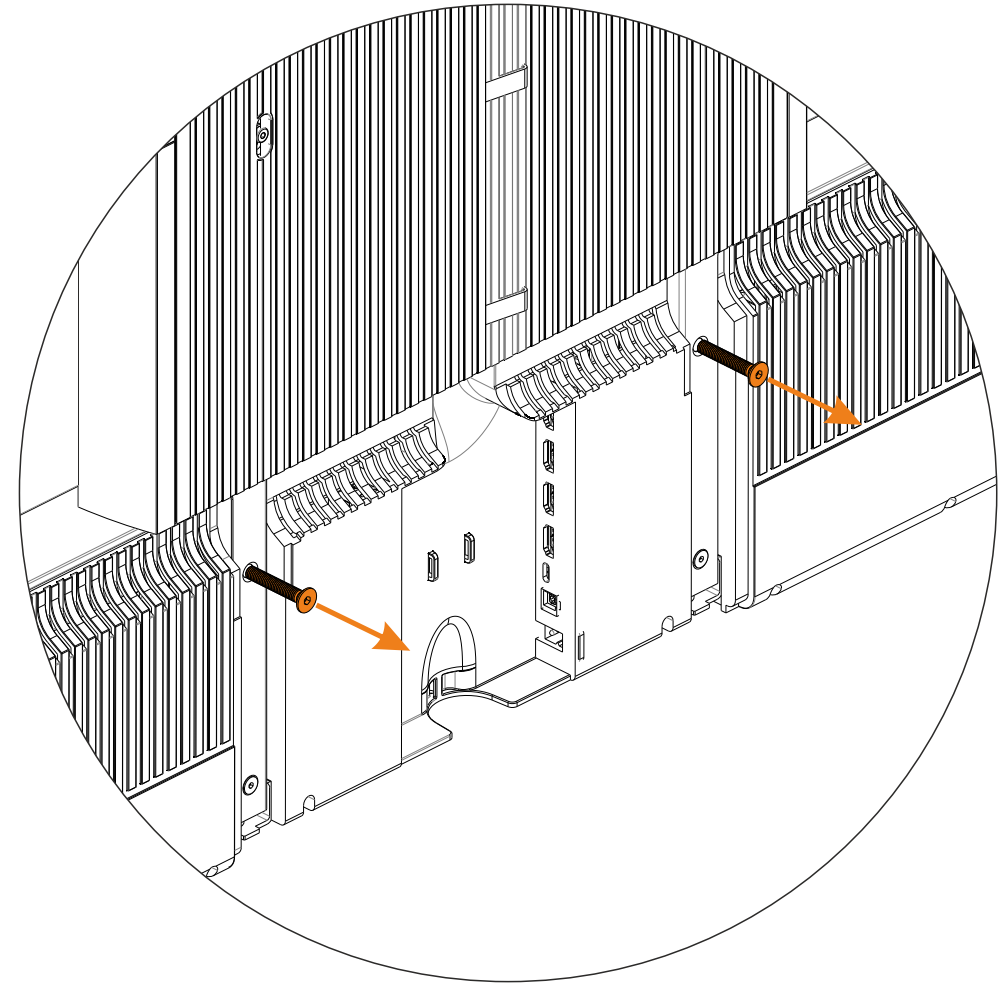
# Assemble TV, SMI and Beosound Theatre



## Remove Television

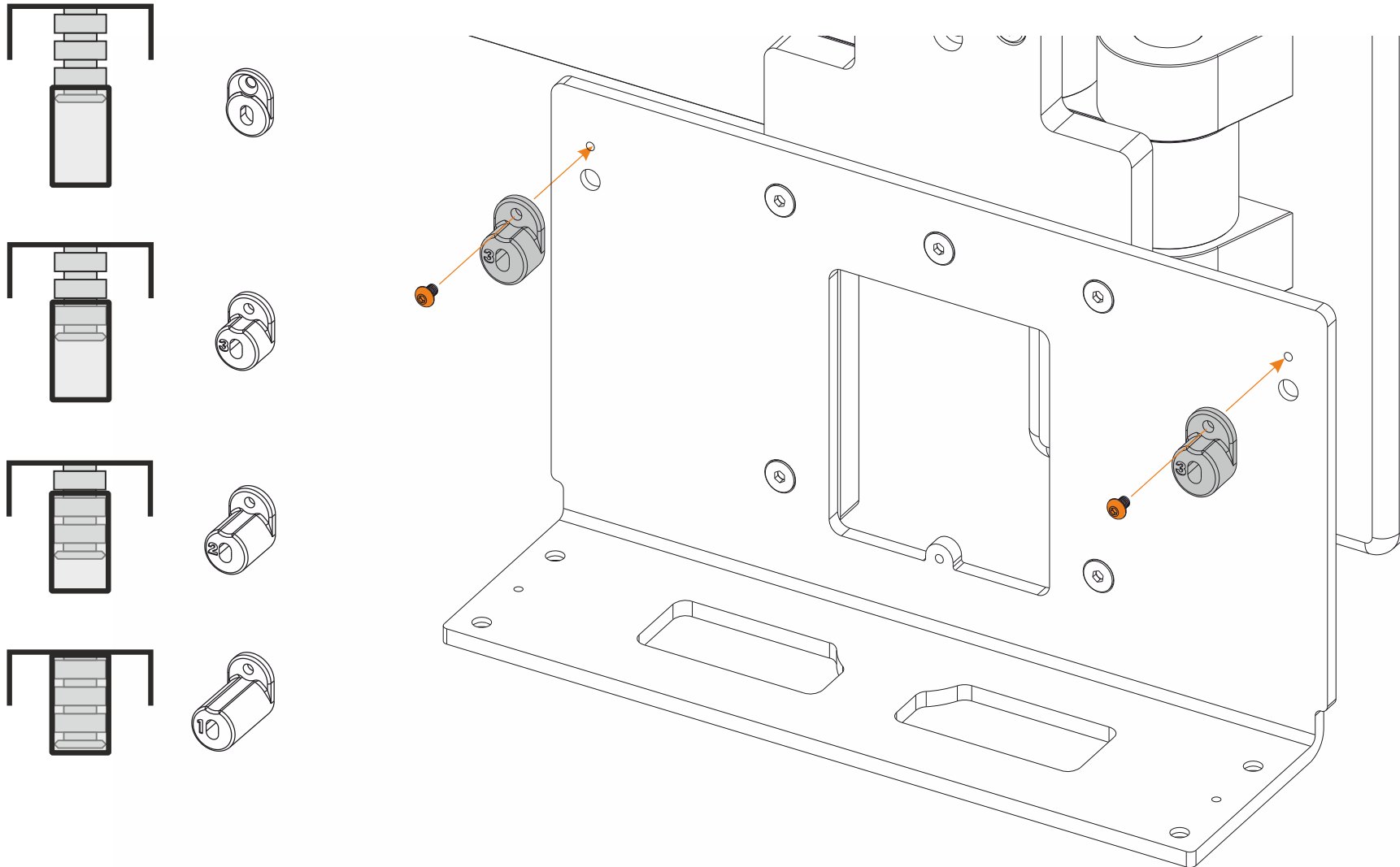


## Remove 2x Screw



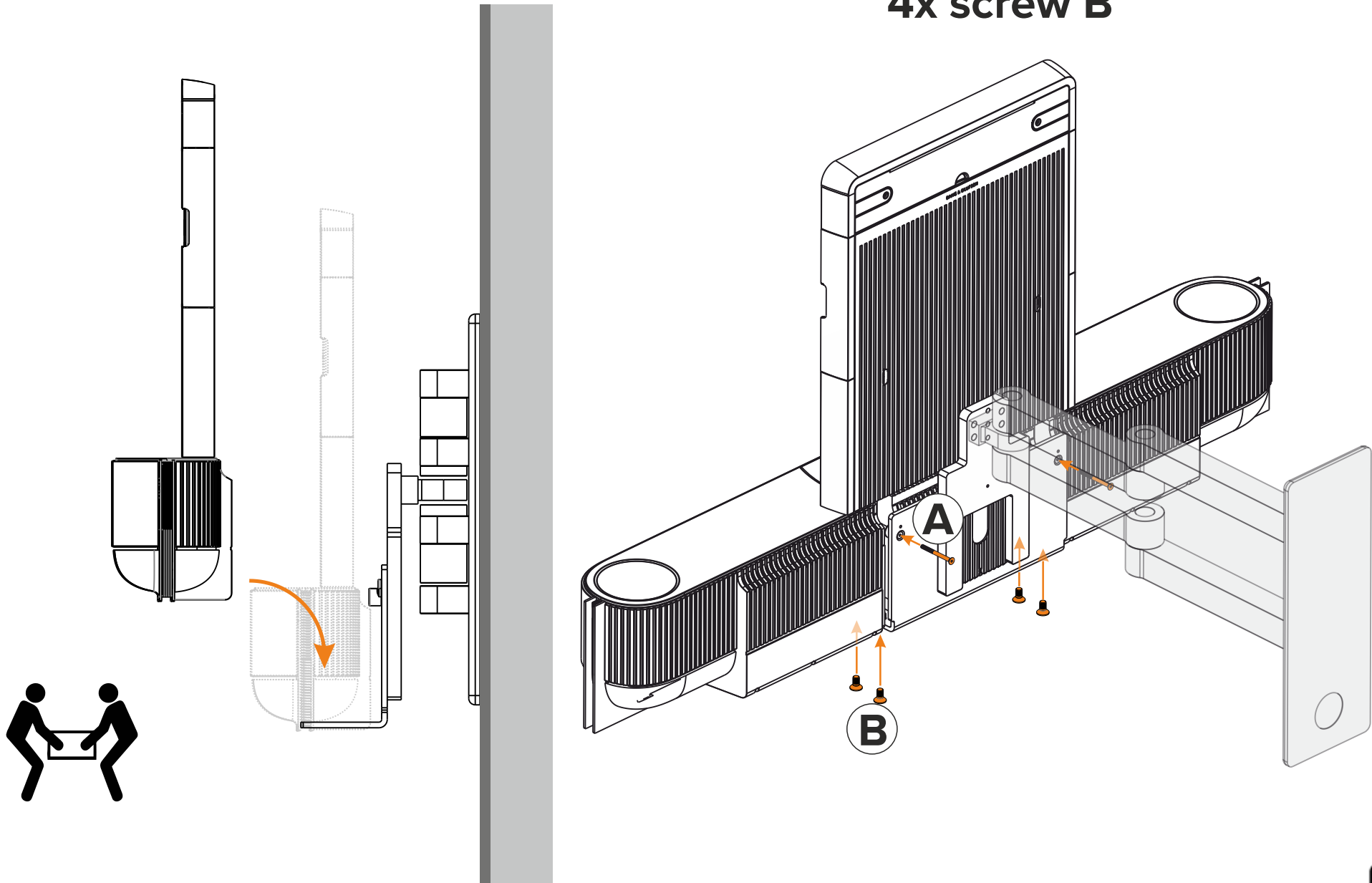
6

# Select & install Spacers



# Mount Theatre & SMI

Install 2x screw A  
4x screw B



# Attach Screen

